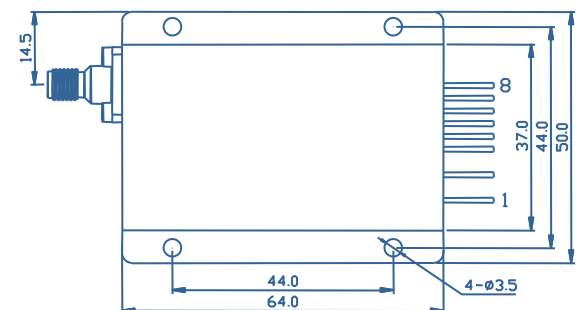
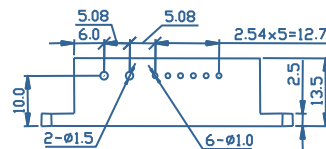


| Model | | M878.6±0.5-90-D200/22-C5 | | |
|------------------------------------|-------|--------------------------|-----------------|------|
| Optical Parameters | Unit | Min | Typical | Max |
| Output Power | W | | 90 | |
| Central Wavelength | nm | | 878.6 | |
| Wavelength Tolerance | nm | | ± 0.5 | |
| Spectral Width (FWHM) | nm | | <0.5 | |
| Wavelength Temp. Coefficient | nm/°C | | 0.02 | |
| Wavelength Current Coefficient | nm/A | | 0.05 | |
| Fiber Parameters | | | | |
| Fiber Core Diameter | µm | | 200 | |
| Fiber Cladding Diameter | µm | | 220 | |
| Numerical Aperture | | | 0.22 | |
| Bare Fiber Length | m | | 2 or customized | |
| Fiber connector (optional) | - | | SMA905 | |
| Electric Parameters | | | | |
| Threshold Current | A | | 1.5 | |
| Operating Current | A | | 11.8 | 13.0 |
| Operating Voltage | V | | 15.8 | 18.0 |
| Slope Efficiency | W/A | | 8.8 | |
| Power Conversion Efficiency | % | | 48 | |
| Back Reflection Protection | | | | |
| Wavelength range | nm | | 1030 – 1100 | |
| Attenuation | dB | | >40 | |
| Other Parameters | | | | |
| Operating Temperature (Thermistor) | °C | | 25 – 35 | |
| Operating Humidity | % | | < 75 | |
| Storage Temperature | °C | | -20 – +80 | |

| Pinout | Function |
|--------|---------------------|
| 1 | Laser Diode Anode |
| 2 | Laser Diode Cathode |
| 3 | NC |
| 4 | NC |
| 5 | Photodiode Cathode |
| 6 | Photodiode Anode |
| 7 | Thermistor |
| 8 | Thermistro |



Compliance with Regulatory Requirements: This industrial laser is an OEM version of a laser diode. As such, it is intended only for integration into other equipment. This laser does not comply with IEC and CDRH requirements. The customer is responsible for IEC and CDRH certifications of the system that incorporates this industrial laser.

