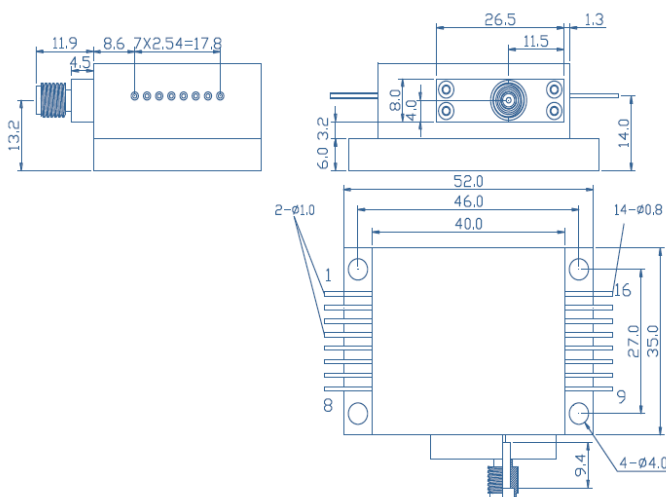


Model		M808±10-20-D400/22-G3-AP			
Optical	Unit	Min	Typical	Max	
Output power	W		20		
Central wavelength	nm	798	808	818	
Spectral width (FWHM)	nm			5.0	
Wavelength temp. coefficient	nm/°C		0.35		
Fiber Receptacle					
Core diameter	µm		400		
Numerical aperture	-	0.20	0.22		
Connector	-		SMA905		
Electric					
Threshold current	A		1.80		
Operating current	A		8.00		
Operating voltage	V		5.45		
Slope efficiency	W/A		3.1		
Electrical-to-Optical efficiency	-		45%		
Red Aiming Beam					
Wavelength	nm	640		660	
Output power at fiber end	mW		2.0		
Operating current	mA			30	
Operating voltage	V		5.0		
Absolute Ratings					
Operating temperature (thermistor)	°C	15		35	
Operating humidity	%			75	
Storage temperature	°C	-20		80	
Soldering temperature	°C		250 (10s)		

1	LD Anode	9	-
2	-	10	-
3	-	11	-
4	LD Cathode	12	-
5	-	13	PD P
6	Red GND	14	PD N
7	Red +5VDC	15	Thermistor
8	-	16	Thermistor



Compliance with Regulatory Requirements: This industrial laser is an OEM version of a laser diode. As such, it is intended only for integration into other equipment. This laser does not comply with IEC and CDRH requirements. The customer is responsible for IEC and CDRH certifications of the system that incorporates this industrial laser.



