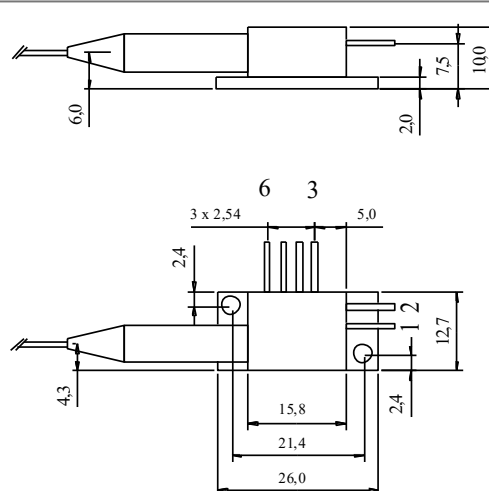


Model		M976±0.5-9-F105/22-T1-P		
Optical	Unit	Min	Typical	Max
Output power (out of fiber)	W	8.0		9.0
Central wavelength	nm	975.5	976.0	976.5
Spectral width (FWHM)	nm		<0.5	
Wavelength shift over temperature	nm/°C		0.02	
Feedback protection (1030-1100nm)	dB		>40	
Fiber				
Fiber core diameter	µm	102	105	108
Fiber cladding diameter	µm	122	125	128
Numerical aperture	-	0.20	0.22	0.24
Connector (Optional)	-		SMA905	
Electric				
Threshold current	A		0.6	
Operating current	A		11.0	12.0
Operating voltage	V		1.70	1.75
Power conversion efficiency	%		48	
Accessories				
Thermistor	kΩ		10k@25°C	
Photodiode current	µA		100 - 1000	
Absolute Ratings				
Operating temperature (colling plate)	°C		20 - 25	
Operating humidity	%		< 75	
Storage temperature	°C		-20 – +80	
Soldering temperature	°C		250 (10s)	

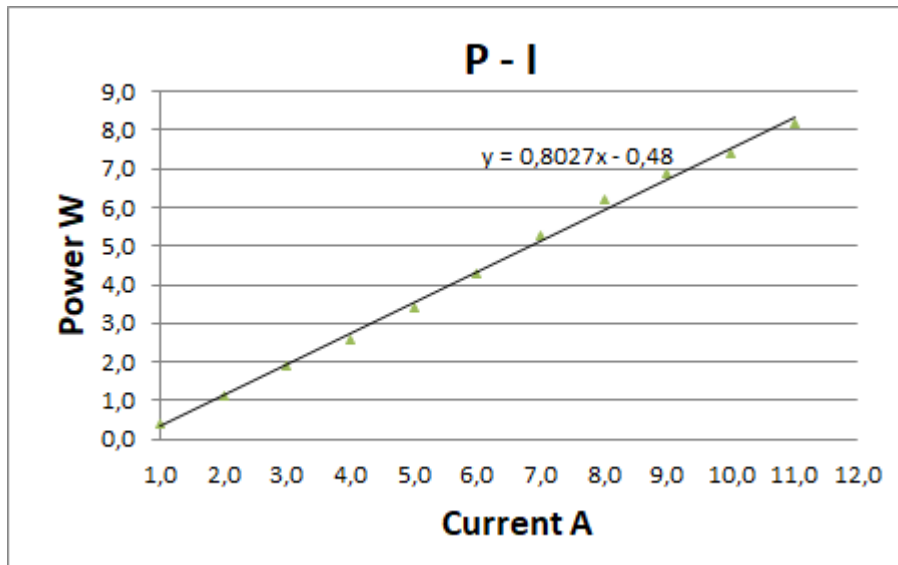
1	LD Anode
2	LD Cathode
3	Thermistor
4	Thermistor
5	PD Cathode
6	PD Anode



Compliance with Regulatory Requirements: This industrial laser is an OEM version of a laser diode. As such, it is intended only for integration into other equipment. This laser does not comply with IEC and CDRH requirements. The customer is responsible for IEC and CDRH certifications of the system that incorporates this industrial laser.



P-I (T=24°C)



Spectrum (I=11A)

