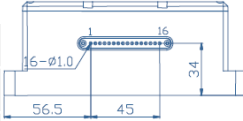
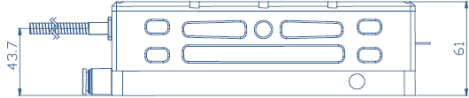
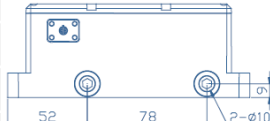
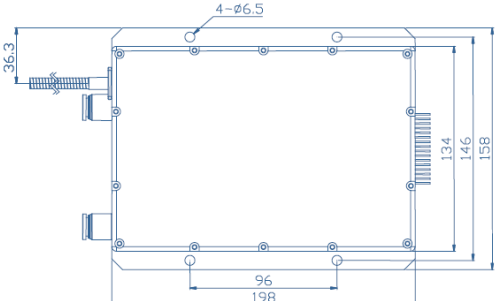


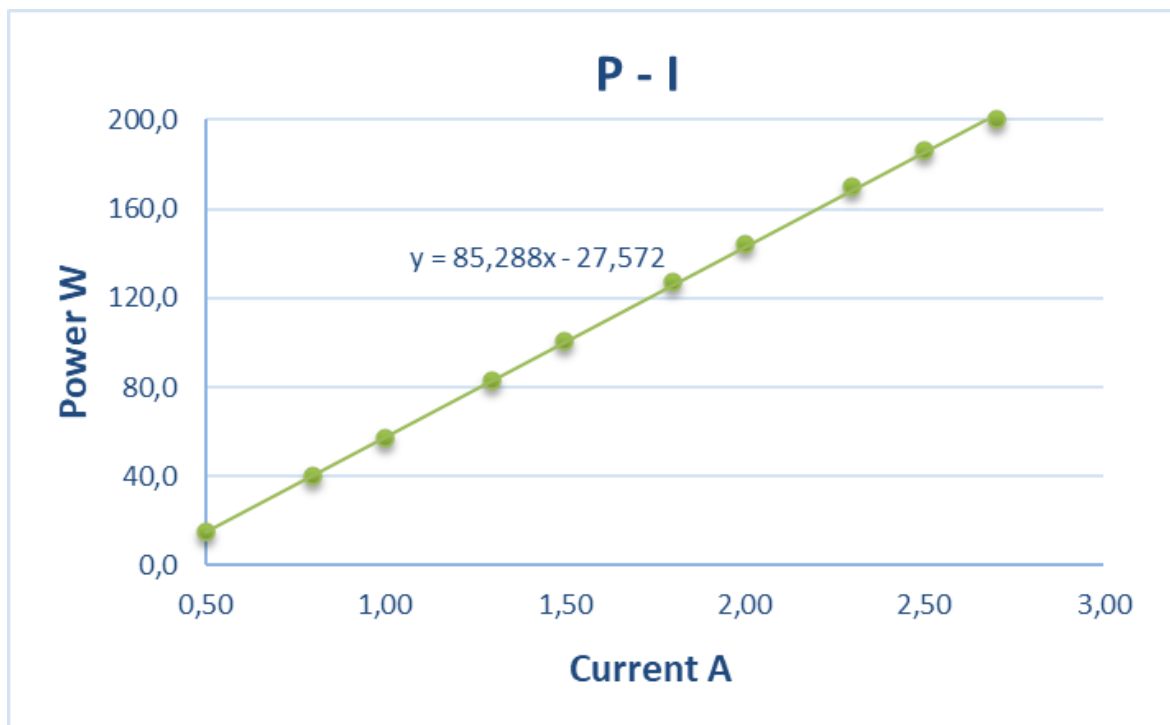
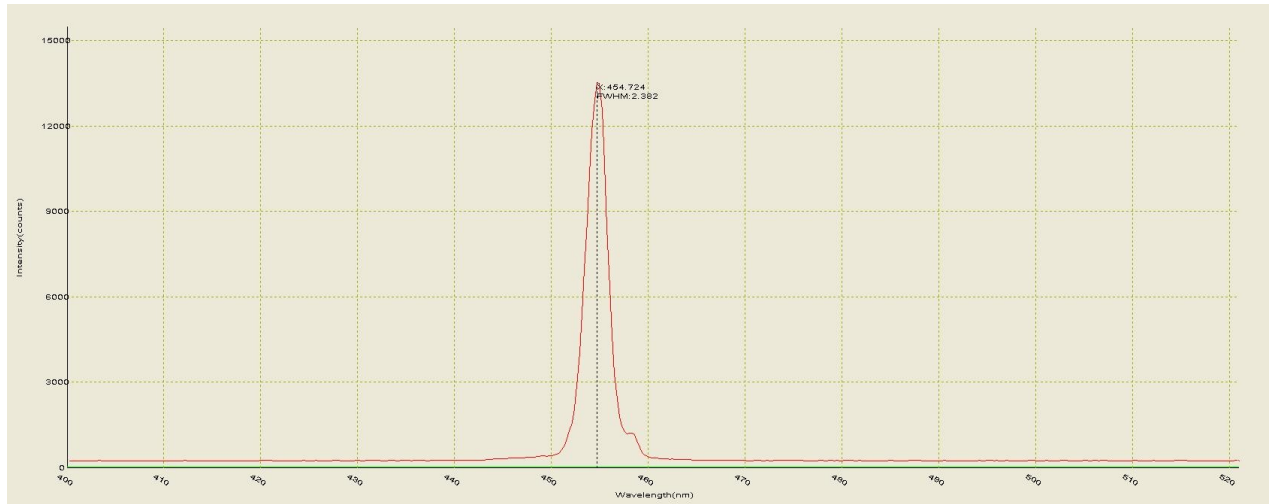
Model		M450±10-200-F200/22-V5W-AP		
Optical	Unit	Min	Typical	Max
Output power (exit fiber)	W	190	200	
Centroid wavelength	nm	440	450	460
Spectral width (FWHM)	nm		6.0	
Beam quality BPP	mm.mrad		18	20
Number of diode submodule	-		4	
Fiber Pigtail				
Core diameter	µm	196	200	204
Numerical aperture	-	0.20	0.22	0.24
Length	m	1		5
Connector	-		SMA905	
Electric (diode submodule)*				
Threshold current	A		0.35	
Operating current	A		2.80	3.00
Operating voltage	V		54.5	55.5
Slope efficiency	W/A			18.9
Power conversion efficiency	%	24.8		
Accessories				
Thermistor	kΩ		10k@25°C	
Red pilot wavelength	nm		650±5	
Absolute Ratings				
Operating (water) temperature	°C		20±2	
Operating humidity	%		<75	
Storage temperature	°C		-20 – +80	
Storage humidity	%		90	

* Measured on 20°C cooling water

1	LD 1 Anode	9	Red pilot +5VDC		
2	LD 1 Cathode	10	Red pilot GND		
3	LD 2 Anode	11	Thermistor		
4	LD 2 Cathode	12	Thermistor		
5	LD 3 Anode	13	NC		
6	LD 3 Cathode	14	NC		
7	LD 4 Anode	15	PD Cathode		
8	LD 4 Cathode	16	PD Anode		

Compliance with Regulatory Requirements: This industrial laser is an OEM version of a laser diode. As such, it is intended only for integration into other equipment. This laser does not comply with IEC and CDRH requirements. The customer is responsible for IEC and CDRH certifications of the system that incorporates this industrial laser.





Power Stability (20°C cooling water)

